

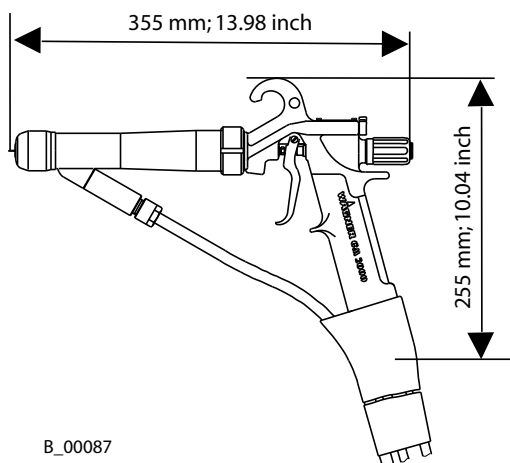
**4.3 TECHNICAL DATA**

Maxi. air pressure	0.8 MPa; 8 bar; 116 psi
Maxi. material pressure	0.8 MPa; 8 bar; 116 psi
Material connection	ø 10 mm; 0.39 inch
Material hose length	7.5 m; 24.6 ft
Inner diameter material hose	ø 6 mm; 0.24 inch
Air connection	R 1/4"
Air hose length	8.1 m; 26.6 ft
Inner diameter air hose	ø 7.5 mm; 0.30 inch
Input voltage *	maxi. 17 Vpp
Input current *	maxi. 0.9 A
Output voltage *	maxi. 80 kV DC
Output current *	maxi. 100 µA DC
Polarity	negative
Gun cable (standard)	11 m; 36.1 ft
Weight (without cables)	600 g; 1.32 lb
Dimension length (L)	355 mm; 13.98 inch
Dimension height (H)	255 mm; 10.04 inch
Working temperature range	5-40 °C; 41-104 °F
Maxi. temperature material	60 °C; 140 °F
Min. el. material resistance	50 kΩ **
Maxi. el. material resistance	1250 kΩ **
Sound power at 0.2 MPa; 2 bar; 29 psi air pressure (depending on nozzle used)	65 - 79 dB(A)

\*After WAGNER/Ransburg scale

**Note**

The specifications marked with " \* " are maximum values. The effective values depend on the control unit

**Dimensions**

B\_00087